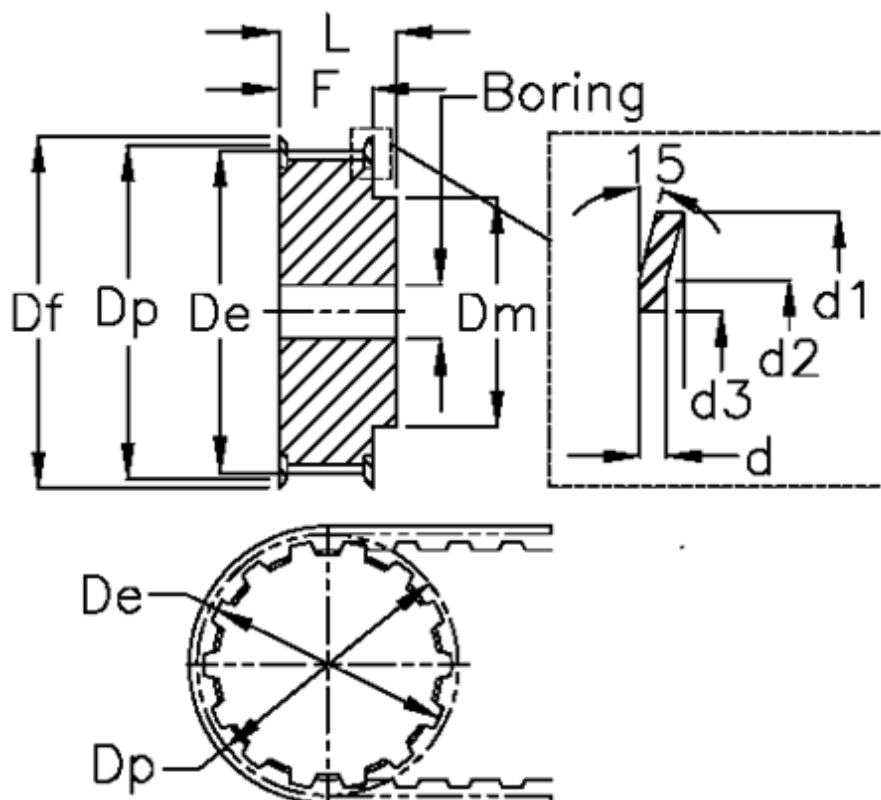


Article number: 60415366019

Description: Timing Belt Pulley 66 T10 19/2

Measures



Belt width = - 50 mm	D_p	= 60.65
d = 1	F	= 56
d_1 = 66	Flange type	= F25
d_2 = 63	L	= 66
d_3 = 52	Pre-drilled	= 10
D_e = 58.65	Tooth number	= 19
D_f = 66	Type	= T10
D_m = 44	Weight	= 0.466